

INTERNATIONAL AEROBATIC CLUB SCORESHEET													
A	Contest:			Date:	Category:	Programme:	pilot's number						
				2023	Power Sportsman	Known							
No	Symbol	Cat. No.	K	Total K	Grade	Remarks	Item	K	Score				
1		7.4.1.1	10	10			<b>Presentation</b>	10					
2		5.3.1.1	18	18				FIGURE TOTAL K =	120				
3		1.2.7.1 9.4.4.2	13 5	18				INC. PRESENTATION =	130				
4		7.2.2.1 9.1.3.2	6 4	10				Aircraft type:					
5		1.1.1.1 9.1.3.4	2 8	10				FREE PROGRAM CHECKED BY:	Signature:	Printed Name:			
6		2.2.1.1	4	4							IAC No:	Date:	
7		1.1.2.1	7	7									Judge Name:
8		1.1.6.3 9.11.1.5	10 4	14									IAC #
9		8.4.1.1 9.1.5.1	13 2	15									Assistant Name:
10		8.5.6.1 9.1.4.2	10 4	14									IAC #



\_\_\_\_\_  
Pilot

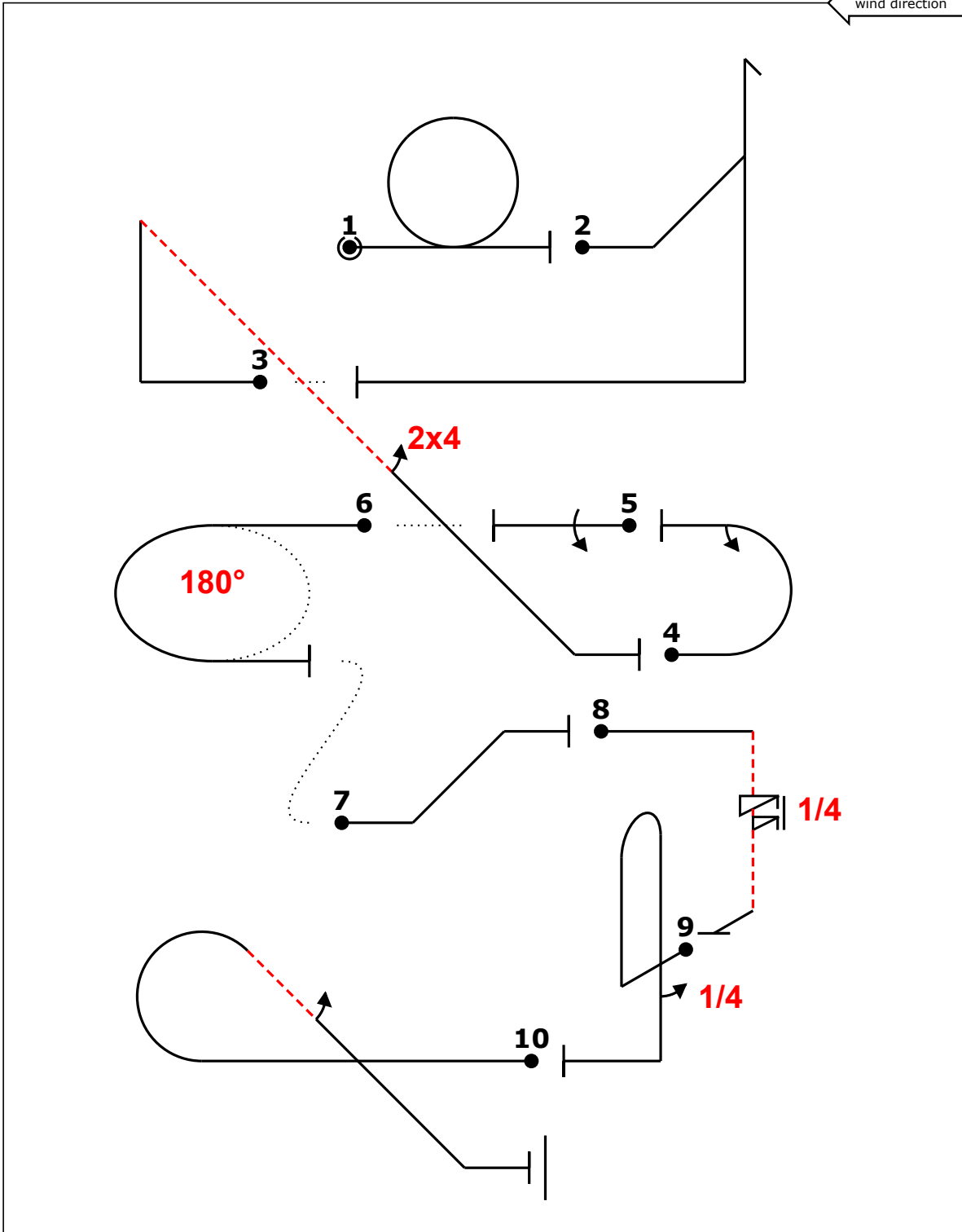
.....  
A/C



<b>B</b>	Contest:	Category: Power Sportsman
	Date: 2023	Program: Known
		Pilot's No. <input type="text"/>

Pilot:

wind direction



A/C:

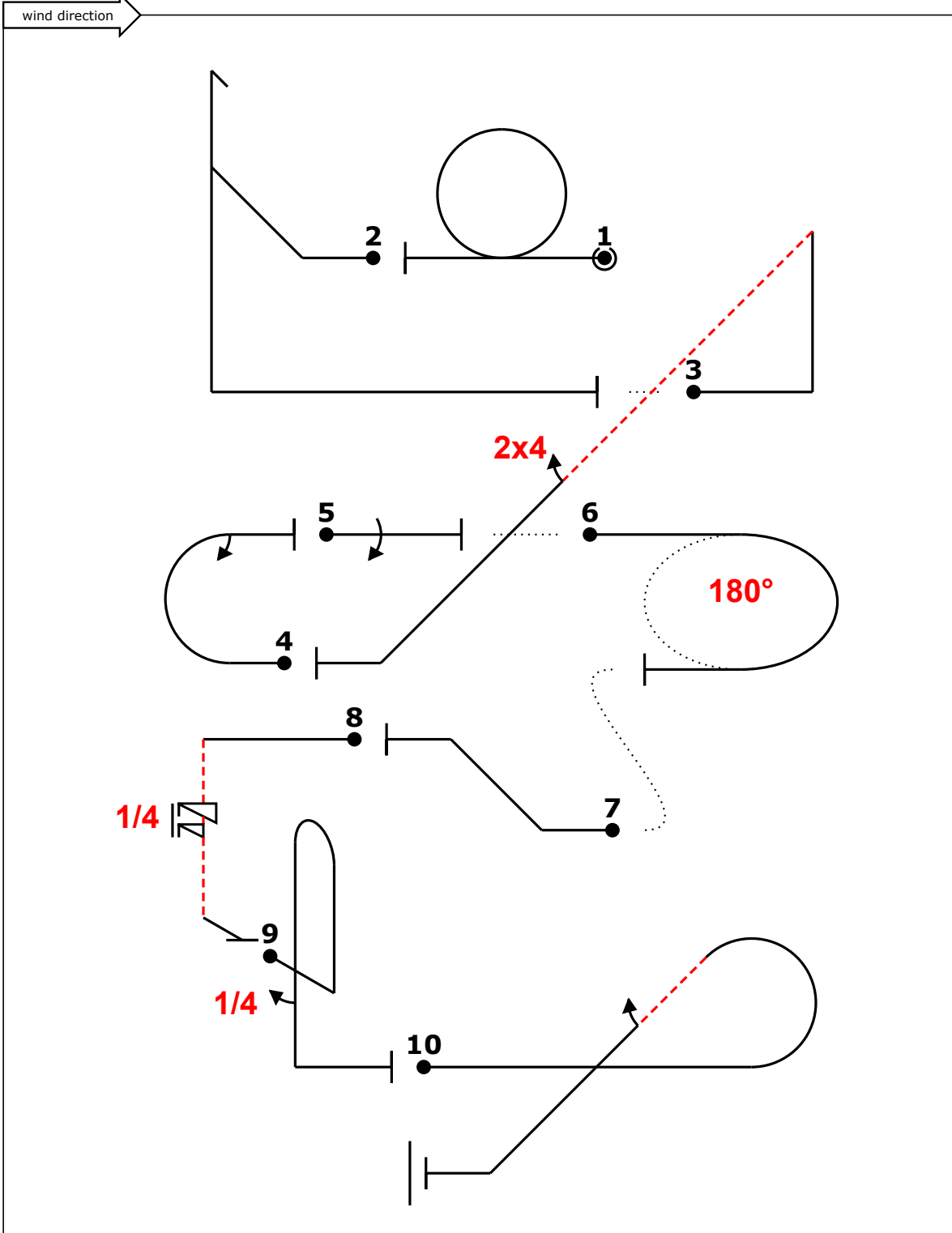
(signature/date)

FREE PROGRAM CHECK BY:



<b>C</b>	Contest:	Category: Power Sportsman
	Date: 2023	Program: Known
Pilot's No. <input type="text"/>		

Pilot: .....



A/C: .....

(signature/date) .....

FREE PROGRAM CHECK BY: .....